

# Simulation of Single-Diode Equivalent Model of Polycrystalline Silicon Solar Cells

Beddiaf Zaidi<sup>1</sup>, Izzeddine Saouane<sup>2</sup>, Chander Shekhar<sup>3</sup>

<sup>1</sup>Department of Physics, Faculty of Matter Sciences, University of Batna 1, Batna, Algeria

<sup>2</sup>Laboratoire De Physique Énergétique, Faculté Des Sciences, Université des Frères Mentouri /1, Constantine, Algérie

<sup>3</sup>Department of Applied Physics, Amity University Haryana, Gurgaon, India

## Email address:

zbeddiaf@gmail.com (B. Zaidi)

## To cite this article:

Beddiaf Zaidi, Izzeddine Saouane, Chander Shekhar. Simulation of Single-Diode Equivalent Model of Polycrystalline Silicon Solar Cells. *International Journal of Materials Science and Applications*. Special Issue: Energy and Materials II. Vol. 7, No. 1-1, 2018, pp. 8-10. doi: 10.11648/j.ijmsa.s.2018070101.12

Received: August 29, 2017; Accepted: August 30, 2017; Published: August 31, 2017

**Abstract:** A solar module is composed of photons of different energies, and some are absorbed at the p-n junction. A single-diode equivalent model is used to describe the electronic properties of solar cells. The theory as well as the construction and working of photovoltaic cells using single-diode method are also presented. So, choosing a electrical equivalent model can be based on area in which we would like to realize for study of solar cell characteristics. Parameters solar cell (Short-Circuit Current, Open-Circuit Voltage) are changed due to changing the light intensity and temperature. In the current paper we present the effect of temperature, series resistance and shunt resistance on the (P-V) characteristics simulated in Matlab/Simulink.

**Keywords:** Short-Circuit Current, Open-Circuit Voltage, Output Power, Solar Cells

## 1. Introduction

Studies of polycrystalline silicon are numerous especially through the technical development of characterization methods in order to raise the performance of solar cells made from this material [1-7]. The electrical energy produced by a solar cell at any time instant depends on its intrinsic properties and the incoming solar radiation [8, 9]. The solar cell is basically a semiconductor diode exposed to light. Solar cell parameters including: short-circuit current ( $I_{CC}$ ), open-circuit voltage ( $V_{OC}$ ), efficiency, series resistance ( $R_S$ ) and shunt resistance ( $R_{Sh}$ ) could be changed due to light intensity and temperature variations [10-13]. Thus modeling of PV cell is vital for solar energy system. The diode based PV cell modeling has gained considerable attraction due to the graphical interface of software's like Matlab/Simulink family which assist in simulation of these models. In the current paper we present the effect of temperature, series resistance and shunt resistance on the (P-V) characteristics simulated in Matlab/Simulink.

## 2. Theory

The single-diode model [14, 15], which is derived from physical principles and represented by the following circuit:

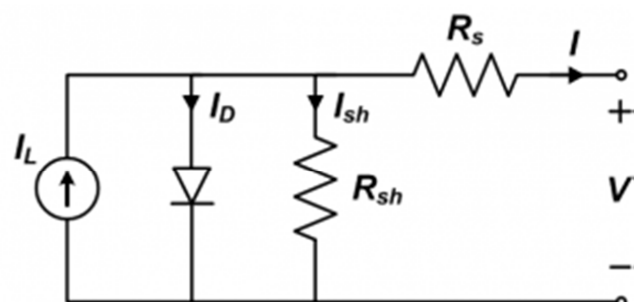


Figure 1. Equivalent model of single-diode.

The governing equation for this equivalent circuit is formulated using Kirchoff's current law for current [16, 17]:

$$I = I_L - I_D - I_{Sh}$$

Where  $I_L$  represents the light-generated current in the cell,

$I_D$  represents the voltage-dependent current lost to recombination, and  $I_{sh}$  represents the current lost due to shunt resistances.  $I_D$  is modeled using the Shockley equation for an ideal diode:

$$I_D = I_0 \left[ \exp\left(\frac{V + IR_s}{nV_T}\right) - 1 \right]$$

Where  $n$  is the diode ideality factor,  $I_0$  is the saturation current. The thermal voltage given by:

$$V_T = \frac{kT_0}{q}$$

Where  $k$  is Boltzmann's constant.

Here, the shunt current as:

$$I_{sh} = \frac{(V + IR_s)}{R_{sh}}$$

And combining this and the above equations results in the complete governing equation for the single-diode model:

$$I = I_L - I_0 \left[ \exp\left(\frac{V + IR_s}{nV_T}\right) - 1 \right] - \frac{(V + IR_s)}{R_{sh}}$$

Five parameters in this equation are primary to all single-diode models:

$I_L$ : light current (A);  $I_0$ : diode reverse saturation current (A);  $R_s$ : series resistance ( $\Omega$ );  $R_{sh}$ : shunt resistance ( $\Omega$ );  $n$ : diode ideality factor.

The output power is given by:

$$P = V \left( I_L - I_0 \left[ \exp\left(\frac{V + IR_s}{nV_T}\right) - 1 \right] - \frac{(V + IR_s)}{R_{sh}} \right)$$

### 3. Results and Discussion

Figure 2 shows (P-V) characteristics for varying temperature  $T$ . It is observed that as temperature increases cell current also increases slightly and cell voltage shows significant decrease in its value. From the curve, it can be noted that the temperature has a negligible effect on the short circuit current. In constant irradiation the open circuit voltage  $V_{OC}$  decreases with temperature. High temperature lowers the  $V_{OC}$  and short circuit  $I_{CC}$  current increases with temperature. This increase is much less than the voltage drops. The influence of temperature on the  $I_{CC}$  can be neglected in the majority of cases.

Figure 3 and Figure 4 are showing (P-V) characteristics of solar cell through which we can locate its peak i.e. maximum power point with respective voltages for varying irradiance and temperature respectively.

Most solar cells, which are quite large compared to conventional diode, we will usually exhibit near-ideal behavior ( $n \approx 1$ ).

The variable resistances are connected as a load. By varying the resistance from the open circuit voltage to the short circuit voltage, the corresponding current and power are

recorded to plot the (P-V) characteristics curve.

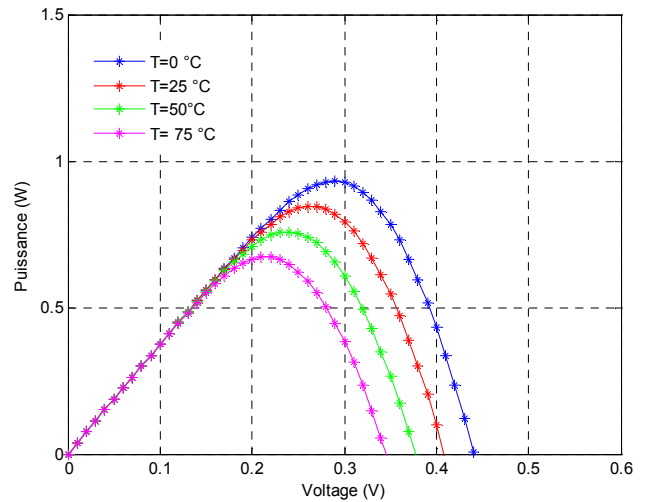


Figure 2. Effect of temperatures on (P-V) characteristics of polycrystalline silicon solar cell.

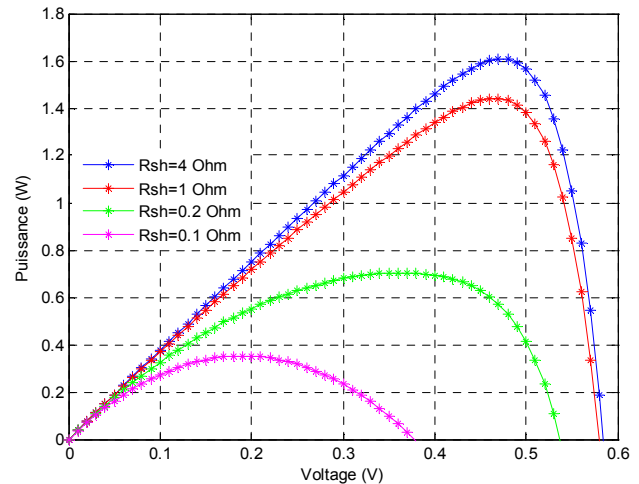


Figure 3. Effect of variation in shunt resistance on (P-V) characteristics of polycrystalline silicon solar cell.

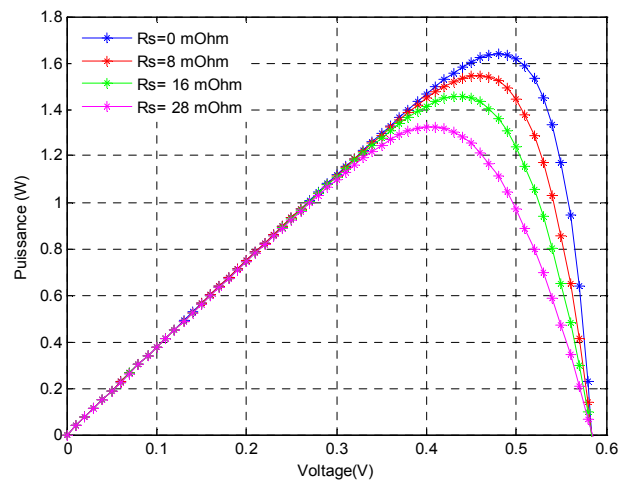


Figure 4. Effect of variation in series resistance on (P-V) characteristics of polycrystalline silicon solar cell.

We can observe the effect of shunt resistance variation as in Figure 3. We notice that the small value of  $R_{sh}$ . Thus the shunt resistance must be large, to increase output power. The voltage at maximum output power doesn't affect with change values of shunt resistance while that values not very small.

We can observe the effect of series resistance variation as in Figure 4. We notice that the large value of  $R_s$ . Thus the Series resistance must be low.

For power system planning purpose, single diode model is better as it will save time. But the characteristics of Solar cell at critical points two diode is more preferable [18].

## 4. Conclusion

In this paper we have studied the effect of temperature, series resistance and shunt resistance on the output power (P-V) characteristics simulated in Matlab / Simulink. However, trace the characteristics (P-V) needs of these three variables. Any change in the entries immediately implies changes in outputs. As the temperature increases, the output voltage decreases. We found that series resistance is proportional to the number of silicon solar cells in the panel.

---

## References

- [1] B. Zaidi, B. Hadjoudja, H. Felfli, B. Chouial, A. Chibani "Effet des traitements thermiques sur le comportement électrique des couches de silicium poly-cristallin pour des applications photovoltaïques" *Revue de Métallurgie*, 108,443, (2011).
- [2] G. Bhuvaneswari "Development of a solar cell model in MATLAB for PV based generation system", in: Proc. 2011 Annual IEEE India Conference - INDICON, Hyderabad, India, 2011.
- [3] B. Zaidi, B. Hadjoudja, H. Felfli, A. Chibani "Influence of doping and heat treatments on carriers mobility in polycrystalline silicon thin films for photovoltaic application", *Turk. J. Phys.*, 35, 185, (2011).
- [4] B. Zaidi, B. Hadjoudja, B. Chouial, S. Gagui, H. Felfli, A. Chibani "Hydrogenation Effect on Electrical Behavior of Polysilicon Thin Films", *Silicon*, 7, 275, (2015).
- [5] V. Avrutin, N. Izyumskaya, H. Morkoc "Amorphous and micromorph Si solar cells: current status and outlook", *Turk Journal of Physics* 2014, 38: 526 -542.
- [6] B. Zaidi, B. Hadjoudja, B. Chouial, S. Gagui, H. Felfli, A. Magramene, A. Chibani "Effect of Secondary Annealing on Electrical Properties of Polysilicon Thin Films", *Silicon*, 7, 293, (2015).
- [7] B. Zaidi, B. Hadjoudja, C. Shekhar, B. Chouial, R. Li, M. V. Madhava Rao, S. Gagui, A. Chibani "Dopant Segregation and Heat Treatment Effects on the electrical properties of Polycrystalline Silicon thin films" *Silicon*, 8, 513, (2016).
- [8] A. S. Sedra, K. C. Smith "Microelectronic Circuits", London, U.K.: Oxford Univ. Press, 2006.
- [9] B. Zaidi, I. Saouane, M. V. Madhava Rao, R. Li, B. Hadjoudja, S. Gagui, B. Chouial, A. Chibani "Matlab / Simulink Based Simulation of Monocrystalline Silicon Solar Cells" *International Journal of Materials Science and Applications* 2016, 5: 11-15.
- [10] D. Rodriguez, P. Horley, J. Hernandez, V. Vorobiev, N. Gorley "Photovoltaic solar cells performance at elevated temperatures", *Solar Energy* 2005, 78: 243-250.
- [11] I. Saouane, A. Chaker, B. Zaidi, C. Shekhar "Optimal angle of polycrystalline silicon solar panels placed in building using ant colony optimization algorithm", *The European Physical Journal Plus* 2017, 132: 1-8.
- [12] E. Skoplaki, A. Palyvos "On the temperature dependence of photovoltaic module electrical performance: a review of efficiency/power correlations", *Solar Energy Materials & Solar cells* 2009, 83: 614-24.
- [13] B. Zaidi, I. Saouane, C. Shekhar, "Electrical Energy Generated by Amorphous Silicon Solar Panels", *Silicon*, DOI 10.1007/s12633-017-9555-8.
- [14] E. M. G. Rodrigues, R. Melício, V. M. F. Mendes, J. P. S. Catalão "Simulation of a Solar Cell considering Single-Diode Equivalent Circuit Model", *Renewable Energy & Power Quality Journal* 2011, 1: 369-373.
- [15] J. Bikaneria, S. P. Joshi, A. R. Joshi "Modeling and Simulation of PV Cell using One-diode model", *International Journal of Scientific and Research Publications* 2013, 3: 1-4.
- [16] G. R. Walker "Evaluating MPPT topologies using a Matlab PV model", *Journal of Electrical & Electronics Engineering* 2001, 21: 49-56.
- [17] J. Yuncong, J. A. A. Qahouq, I. Batarseh "Improved solar PV cell Matlab simulation model and comparison", in: Proc. 2010 IEEE International Symposium on Circuits and Systems - ISCAS'10, Tuscalosa, Alabama, USA, 2010.
- [18] V. Tamrakar, S. C. Gupta, Y. Sawle "Study of characteristics of single and double diode electrical equivalent circuit models of solar PV module", in: Proc. 2015 IEEE International Conference on Energy Systems and Applications - ICESA, Pune, India, 2015.